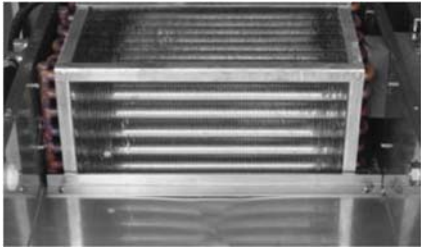
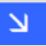
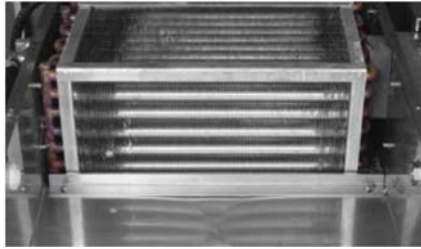
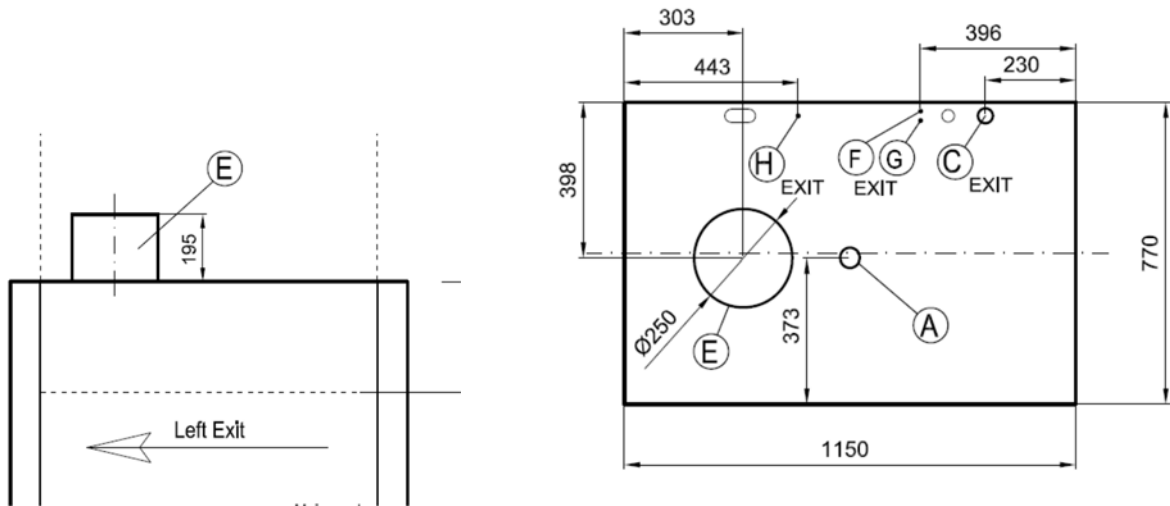
	<i>Model</i>	(Heat Recovery)	
	<i>Code Production</i>	R	
<i>Interface :</i>			
			
	<i>Overall Dimension (Width-Depth-Height) *open</i>	<i>mm</i>	<i>Inside body</i>
	<i>Net weight</i>	<i>Kg</i>	45
	<i>Air delivery</i>	<i>m³/hr</i>	700
	<i>fan power</i>	<i>W</i>	180
	<i>Number of batteries</i>	<i>N°</i>	2 - <i>alu/copper</i>
	<i>Total exchange surface</i>	<i>m²</i>	50
	<i>Temperature recovery from 15°C</i>	<i>°C</i>	25
	<i>Electric Connection</i>	<i>V-ph-Hz</i>	400V - 3N - 50Hz

	<i>Model</i>	(Heat Recovery) For reverse osmosis water	
	<i>Code Production</i>	Z	
<i>Interface :</i>			
			
	<i>Overall Dimension (Width-Depth-Height) *open</i>	<i>mm</i>	<i>Inside body</i>
	<i>Net weight</i>	<i>Kg</i>	45
	<i>Air delivery</i>	<i>m³/hr</i>	700
	<i>fan power</i>	<i>W</i>	180
	<i>Number of batteries</i>	<i>N°</i>	2 - <i>alu/inox</i>
	<i>Total exchange surface</i>	<i>m²</i>	50
	<i>Temperature recovery from 15°C</i>	<i>°C</i>	25
	<i>Electric Connection</i>	<i>V-ph-Hz</i>	400V - 3N - 50Hz

Left exit :



Right exit :

